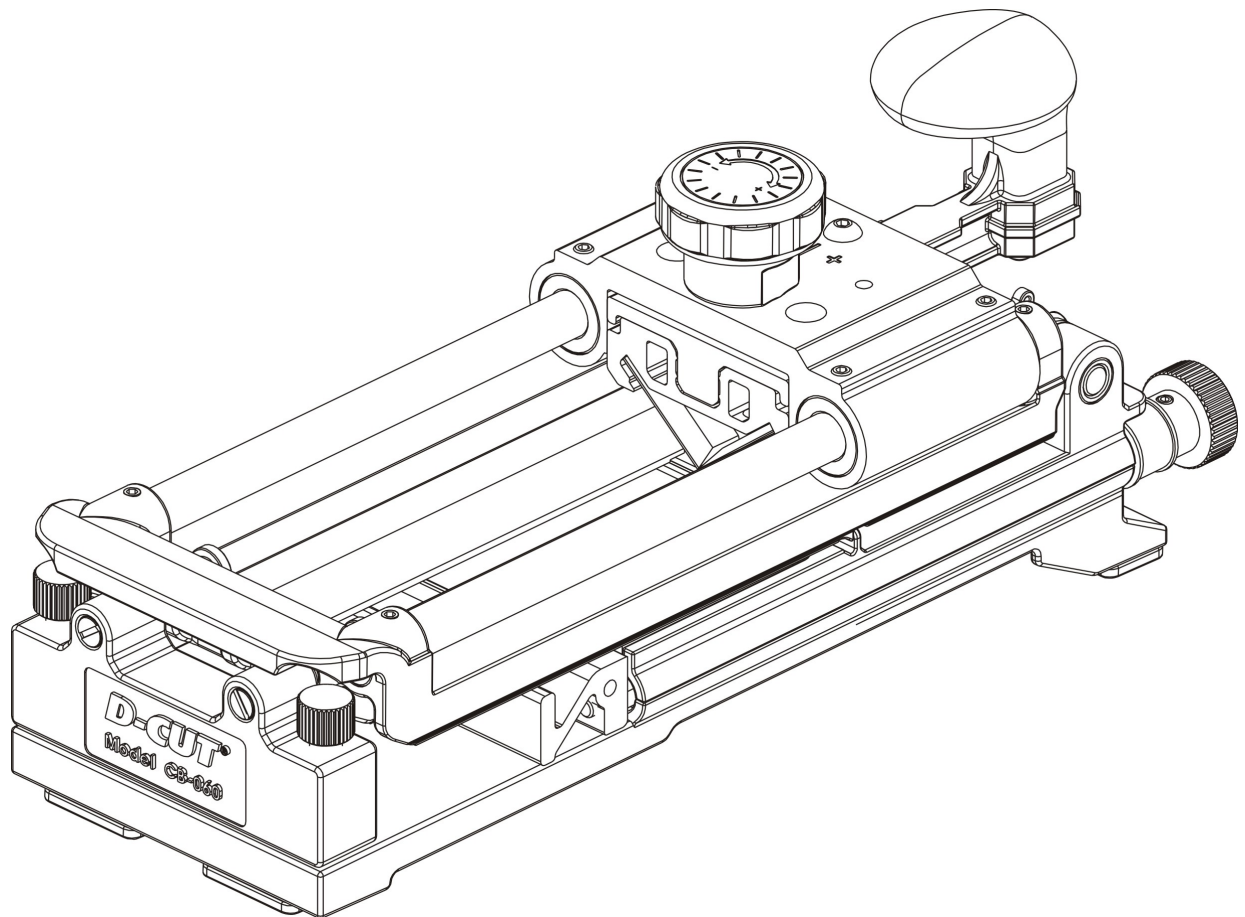
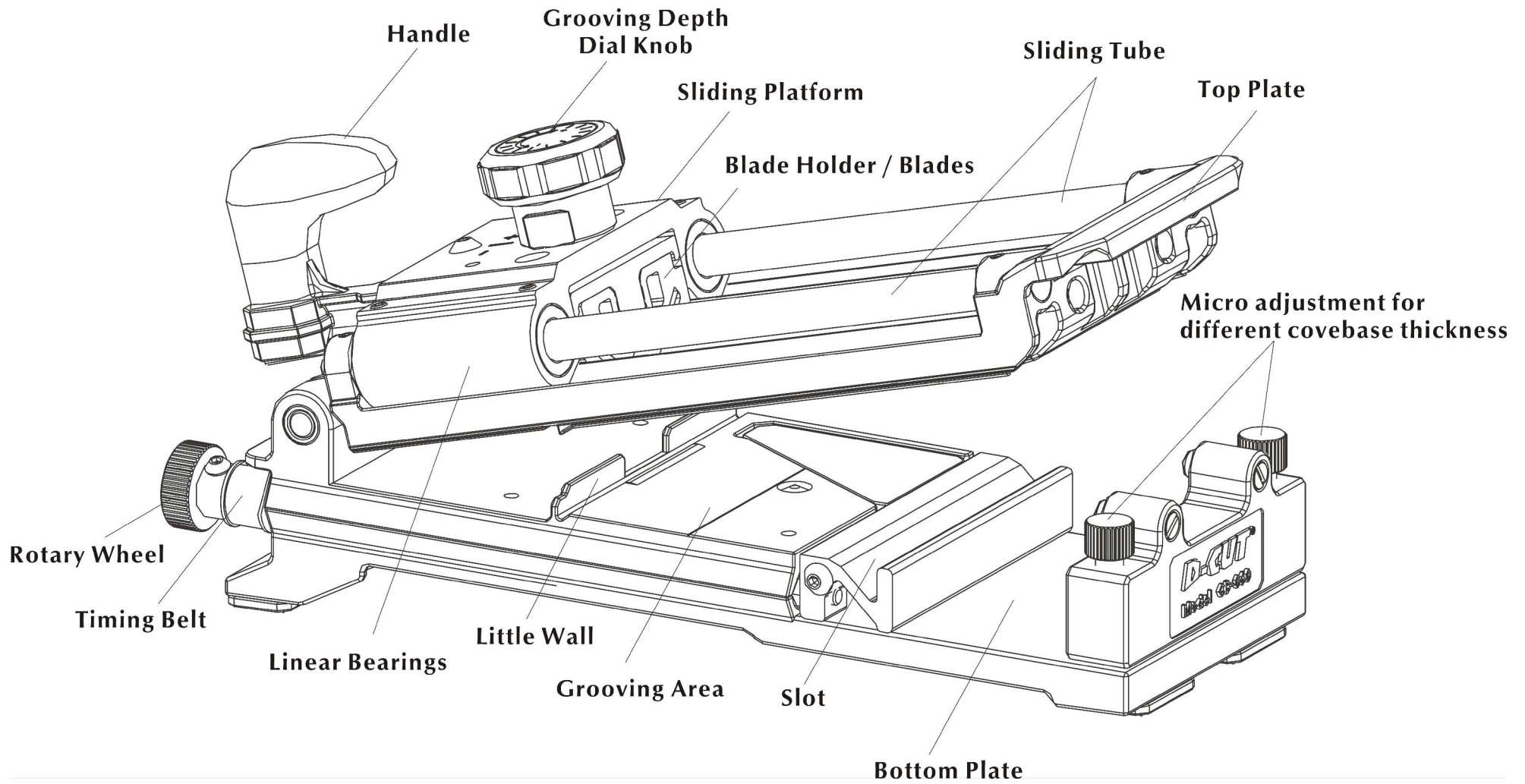


D-CUT[®]

OPERATION MANUAL

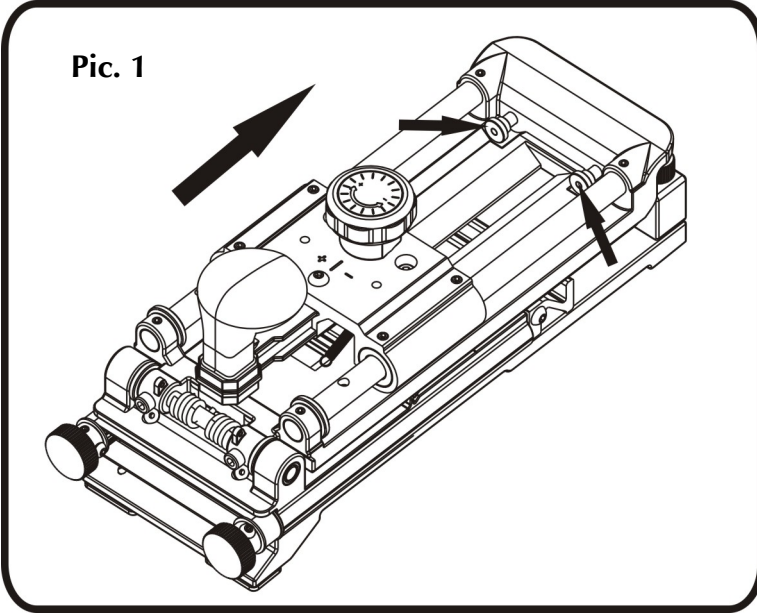
D-Cut Covebase Groover CB-060





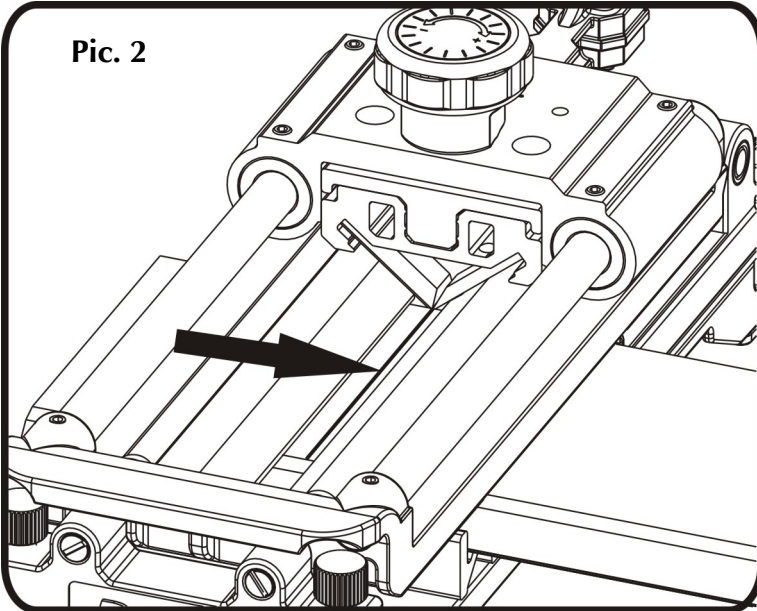
Groove a covebase with toe between 4" to 6 1/4"

Pic. 1



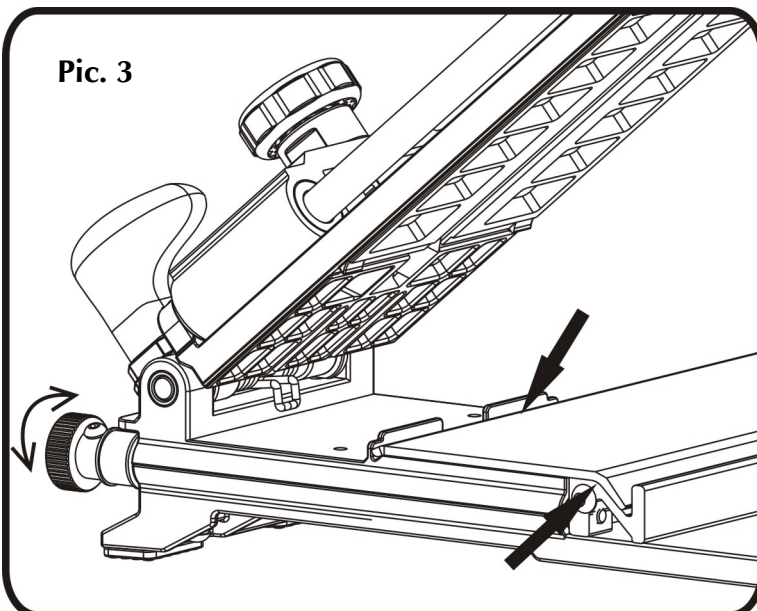
Push the handle forward to open the top plate, or use two thumbs to push two spring pins to open the top plate.

Pic. 2



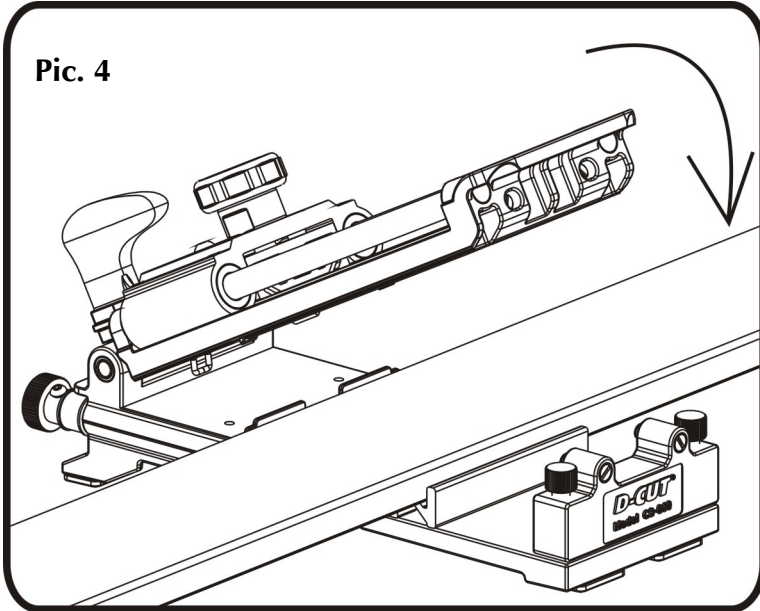
Lay the covebase with its backside facing up on the grooving area and line up the mark you previously made on the backside of the covebase with the joint point of the blades.

Pic. 3



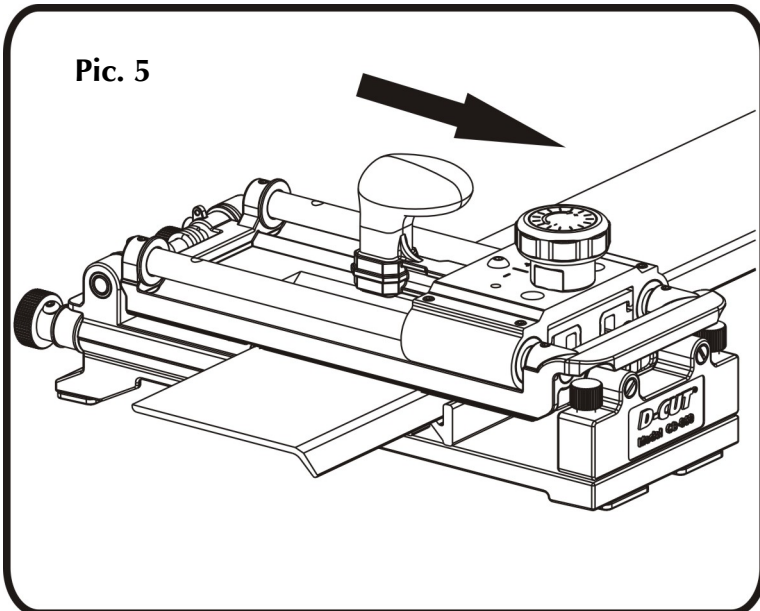
Make sure the toe of the covebase gets into the movable slot as shown and thinner edge (top of the covebase) touch the little wall. Turn the rotary wheel on the back of the groover to adjust the slot to ensure the covebase fits the grooving area perfectly.

Pic. 4



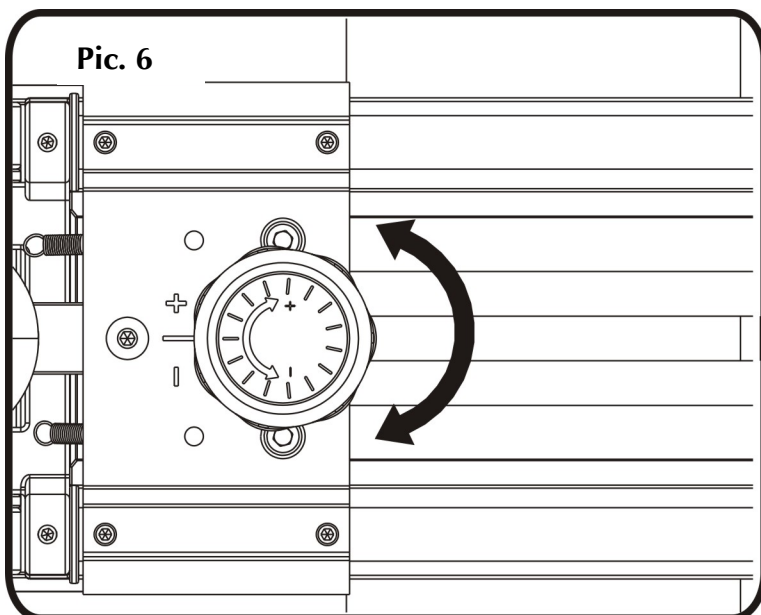
Push down the top plate down towards the bottom plate until it locks with the bottom plate.

Pic. 5



Push the handle forward to finish the grooving.

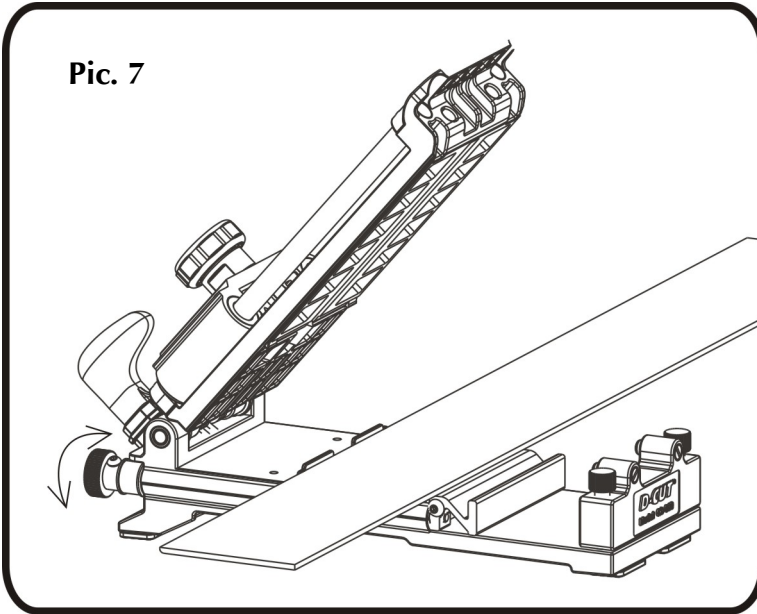
Pic. 6



Turn the grooving depth dial knob to adjust the grooving depth in order to reach the result you need.

Grooving a covebase with toeless

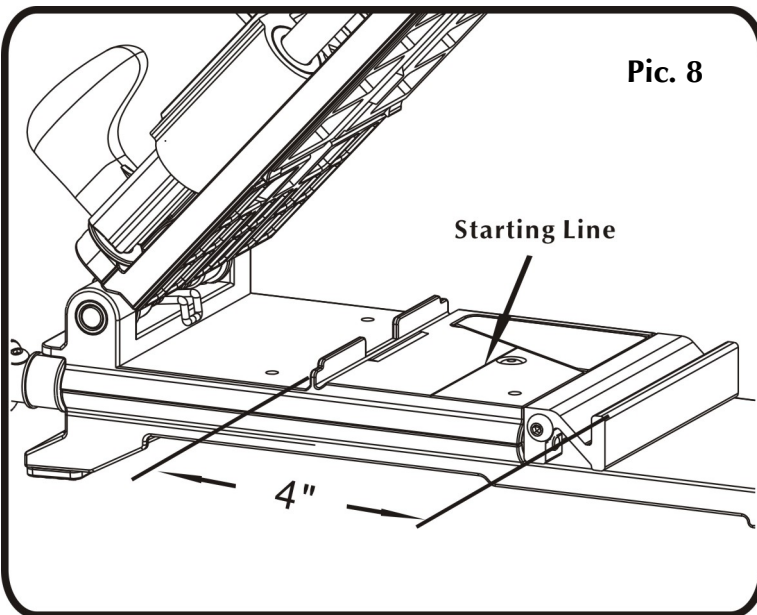
Pic. 7



1. lay the covebase on the grooving area with the backside facing up and make the thinner edge (top of the covebase) touch the little wall.
2. Turn the rotary wheel on the back of the groover to make sure the covebase is fully supported by the bottom plate, not above the slot.
3. Line up the mark you previously made on the backside of the covebase with the joint point of the blades. Ref. to Pic. 2
4. Push down the top plate down towards the bottom plate until it locks with the bottom plate. Ref. to Pic. 4
5. Push the handle forward to finish the grooving. Ref. to Pic. 5

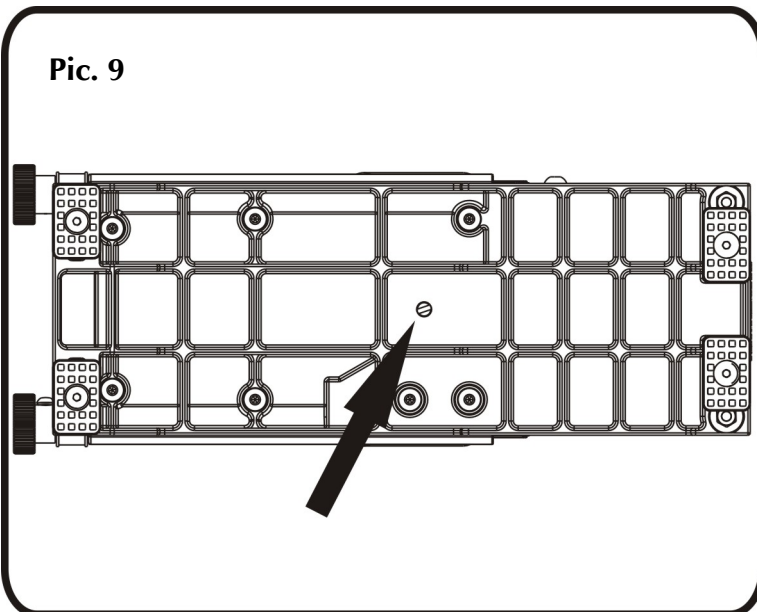
Do the grooving on a 2.5" cove base

Pic. 8



Set the bottom plate to 4" position.

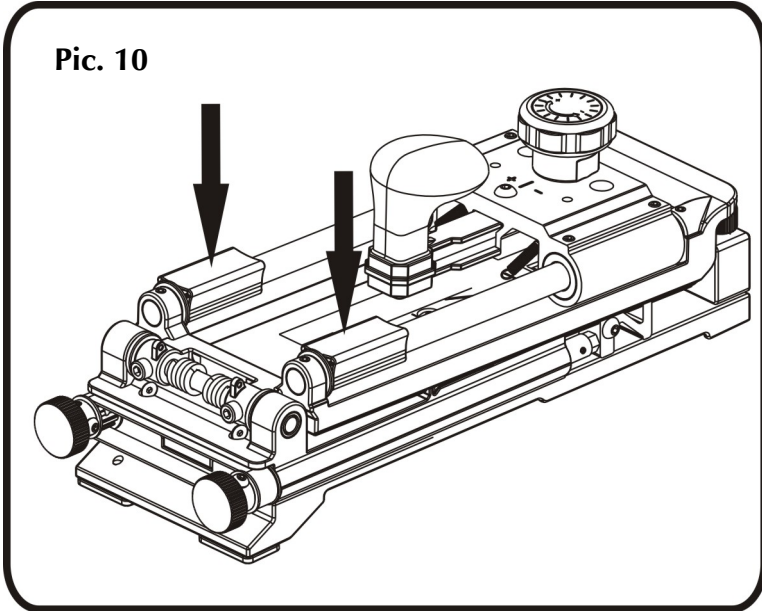
Pic. 9



Turn the groover upside down and you will see a screw in the middle of the bottom plate. Use a flat screw driver to turn the screw clockwise half a circle until you can't turn it any more.

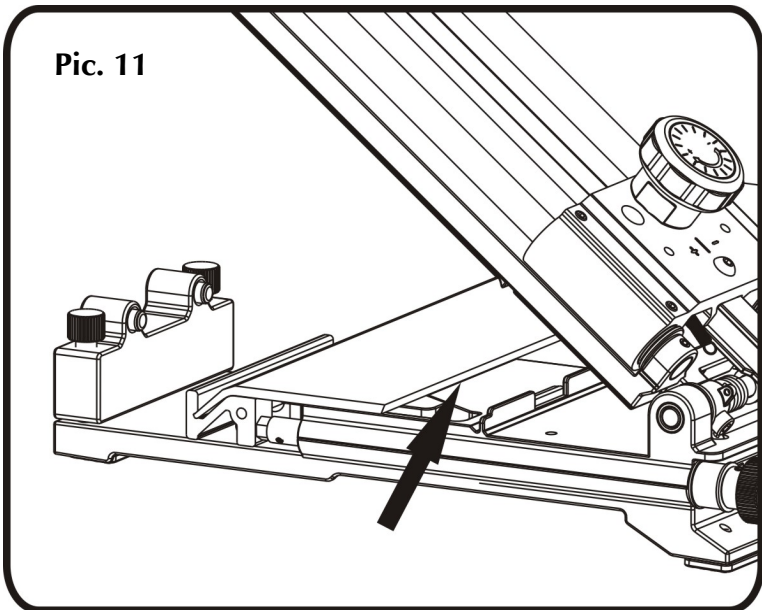
Note: Do not over turn the screw.

Pic. 10



Set the 2.5" adapters onto the sliding tube as shown.

Pic. 11

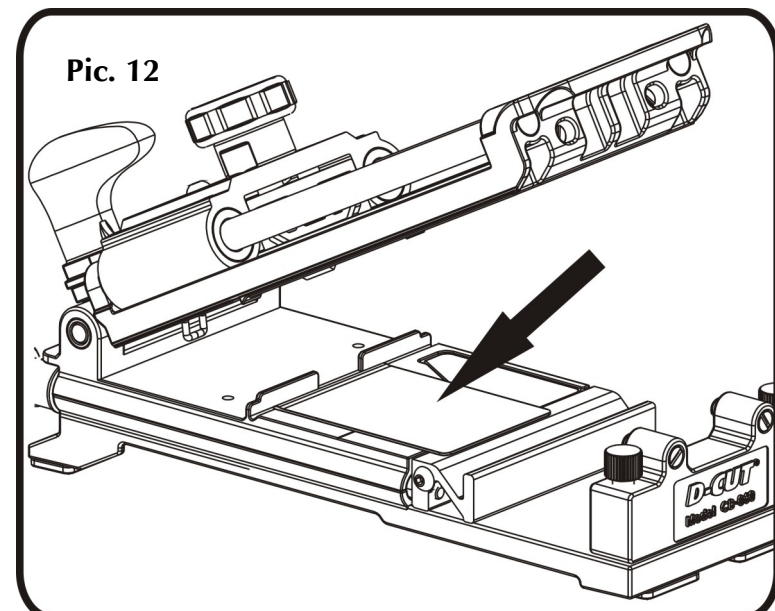


Lay the covebase with its backside facing up on the grooving area. And it is important to line up the thinner edge of the covebase with the starting red line drawn on the grooving area as shown by turning the rotary wheels.

1. Line up the mark you previously made on the backside of the covebase with the joint point of the blades. Make sure the base is perfectly fit the adjustable slot. Ref. to Pic. 2
2. Push down the top plate down towards the bottom plate until it locks with the bottom plate. Ref. to Pic. 4
3. Push the handle forward to finish the grooving. Ref. to Pic. 5

Do the grooving on a 4" x .080 cove base

Pic. 12



1. Set the adjustable slot to 4" position.
2. Lay provided nylon pad on the grooving area as shown.
3. Lay the covebase over the nylon pad and line up the mark you previously made on the backside of the covebase with the joint point of the blades. Ref. to Pic. 2
4. Push down the top plate down towards the bottom plate until it locks with the bottom plate. Ref. to Pic. 4
5. Reduce the grooving depth
6. Push the handle forward to finish the grooving. Ref. to Pic. 5

Odd examples:

1. For some of the covebases, you may need to adjust the grooving depth during the process by turning the grooving depth knob, which means that you may start with a grooving depth to do a part of the job and adjust the grooving depth and finish the grooving for the rest of the job.

Part List

	Parts	Q'ty		Parts	Q'ty
1	Screw M4 × 30	2	23	Screw M5 × 12	2
2	Spring A	2	24	Rotation Shaft	1
3	Push Handle	1	25	Screw M5 × 20	5
4	Screw M5×6	10	26	Screw M5 × 40	2
5	Grooving Depth Knob Assembly	1	27	Belt	1
6	Sliding Platform	1	28	Timing Pulley	2
7	Blade Holder Connector	1	29	Screw M4 × 6	2
8	Blade	1	30	Rotary Wheel	2
9	Blade Holder	2	31	Pulley Base	2
10	Linear Bearing	4	32	Screw M5 × 12	2
11	Sliding Tube	2	33	Rubber Feet	4
12	Nylon Washer	2	34	Bottom Plate	1
13	Relaxed Plate	2	35	Adjustable Working Block	1
14	Lock Pin	2	36	Connecting Rob	2
15	Spring B	2	37	Pipe Shaft	2
16	Micro Adjusting Screw	2	38	Screw M5× 20	2
17	Top Plate	1	39	Screw M5 × 105	1
18	Adjustment Screw	1	40	Guide Pin	2
19	Bottom Plate	1	41	Top Plate Stopper	1
20	Screw M4 × 6	2	42	Slot	1
21	Spring C	1	43	Adapter	2
22	Sleeve	2	44	Nylon Pad	1

Part List

