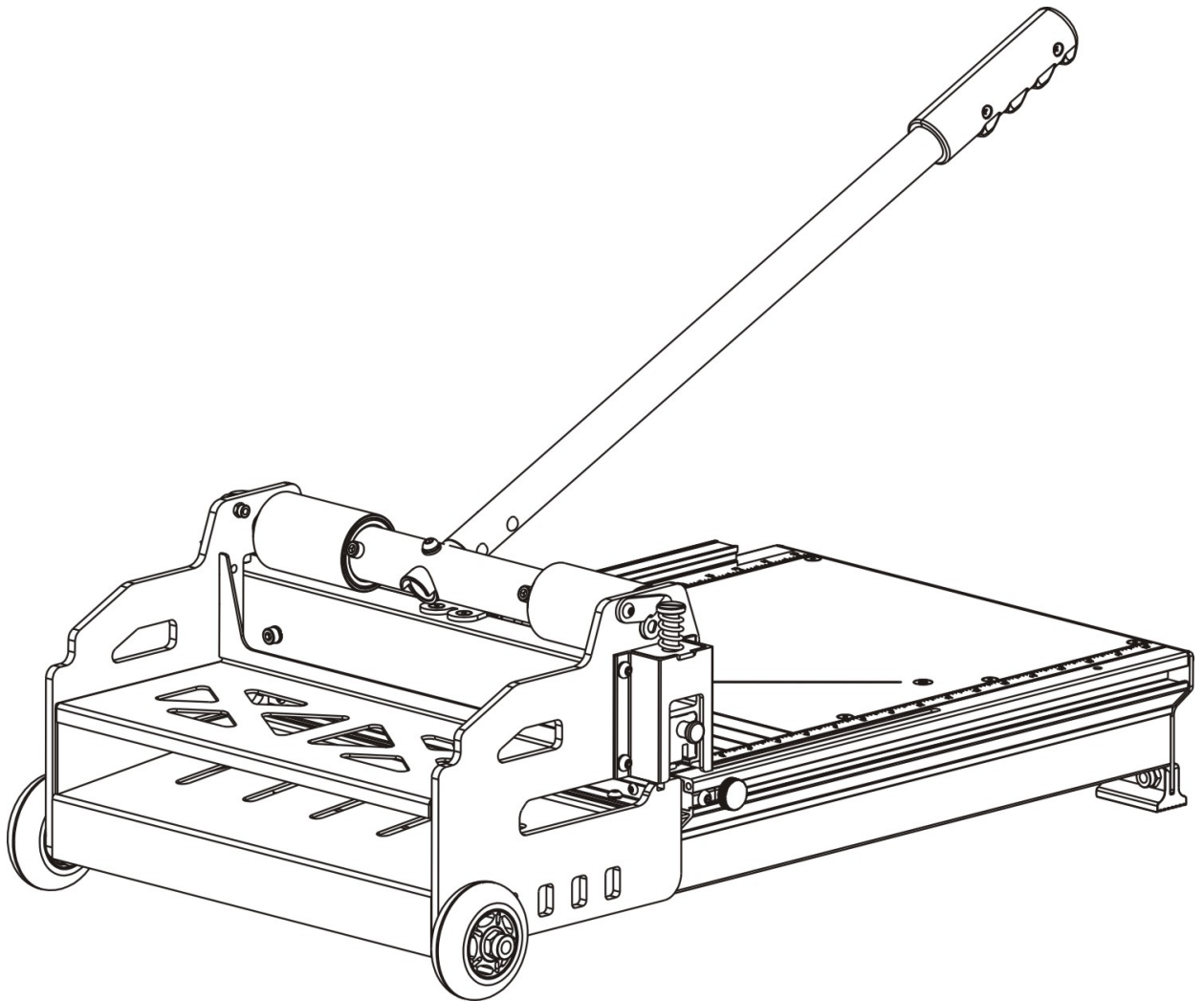


D-CUT[®]

OPERATION MANUAL

Vinyl Plank Flooring Cutter
LH-320

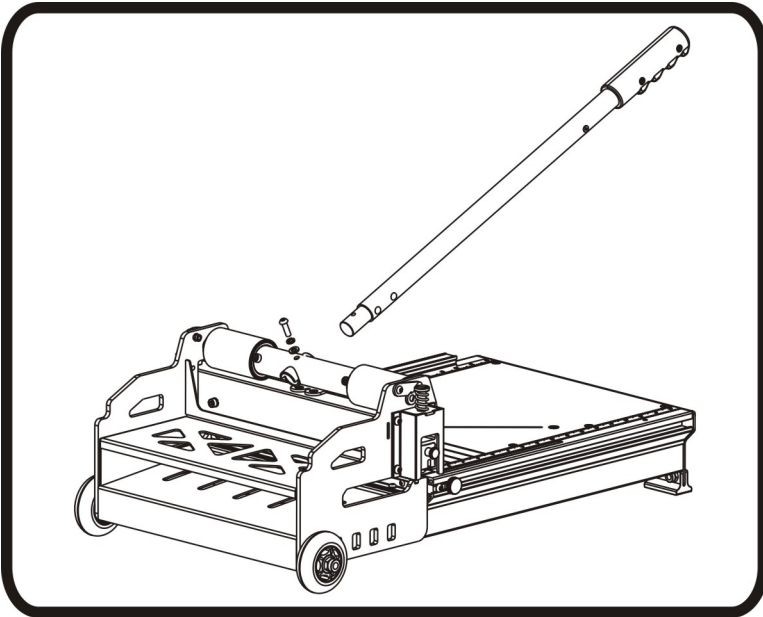




WARNING: FAILURE TO FOLLOW THESE RULES MAY RESULT IN SERIOUS INJURY! USING THIS MACHINE WITH RESPECT AND CAUTION WILL CONSIDERABLY LESSEN THE POSSIBILITY OF PERSONAL INJURY.

SAFETY RULES FOR THE FLOORING CUTTER

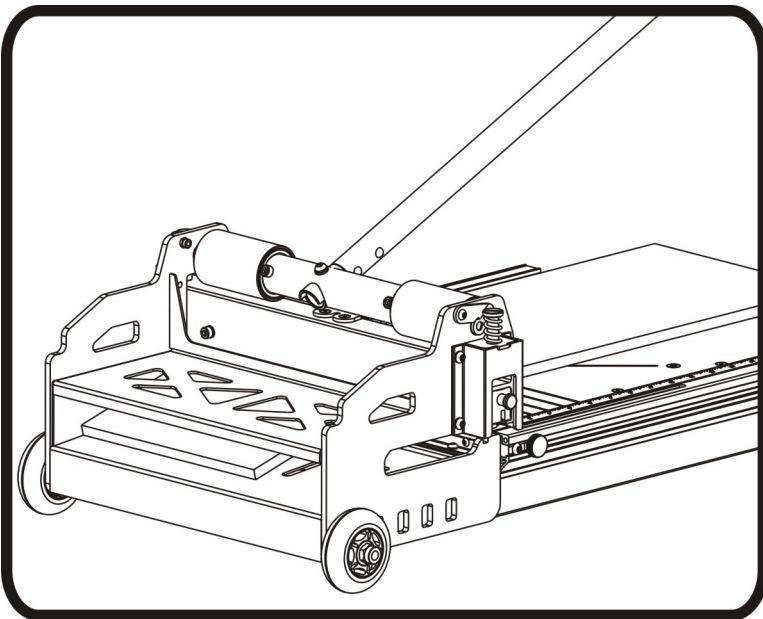
- 1. READ AND UNDERSTAND THIS INSTRUCTION MANUAL BEFORE OPERATING THE D-Cut MULTI-FLOORING CUTTERS.**
2. If you are not thoroughly familiar with the operation of D-CUT LVT-flooring Cutter, obtain advice from a qualified instructor.
3. Stay alert. Do not operate while under the influence of drugs, alcohol, or medication.
4. Always wear safety approved eye protection with side shields(ANSI Z87.1)
5. Keep work area free of debris.
6. Keep children and unauthorized persons away from the D-CUT LVT-flooring Cutter and work area.
7. Make sure tool is secure. Operate only on a firm substrate or a solid stand.
8. Use right tools. Do not force the D-CUT LVT -flooring Cutter or use it for a job for which it was not designed; use only on approved materials.
9. Always keep hands away from blade while operating or carrying the cutter.
10. Do not alter or misuse this tool. The D-CUT LVT-flooring Cutter is precision built; modifications not specified in this manual may result in a dangerous and unsafe environment.
11. Maintain the D-CUT LVT-flooring cutter with care. Follow instructions for changing accessories.
12. Use only recommended accessories. The use of improper accessories may be hazardous and cause injuries.
13. Never leave the D-CUT LVT-flooring Cutter unattended. Secure the handle with the lock chain when not in use.



Installation of the Cutter

Assemble the handle set to the cutter base with provided screws as shown.

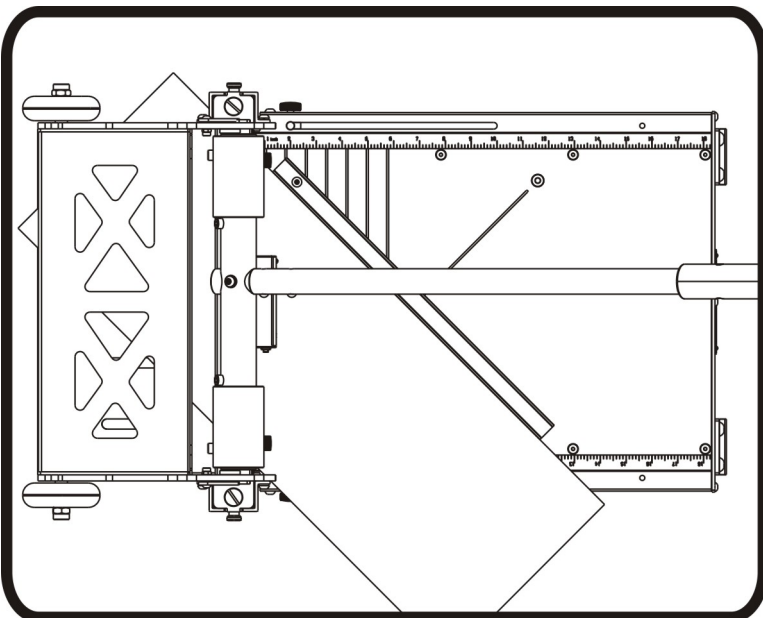
Warning: Do not put your fingers against the sharp edge of the blade at any time.



Straight Cut

Insert the floor plank between the cutting blade and the base, flush with the guide bar on the working table and hold the plank then pull handle down to complete a cut.

Warning: Maintain control of the handle. Do not allow handle to slam back after making a cut.

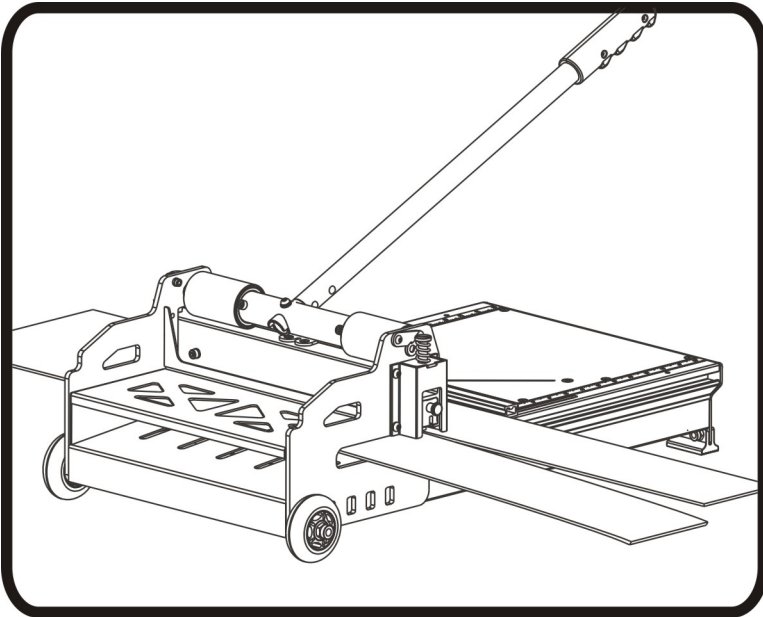


45° Cut

Position the guide bar at 45°. Insert the floor plank between the cutting blade and the base, along with the guide bar as shown, then pull the handle down to complete a cut.

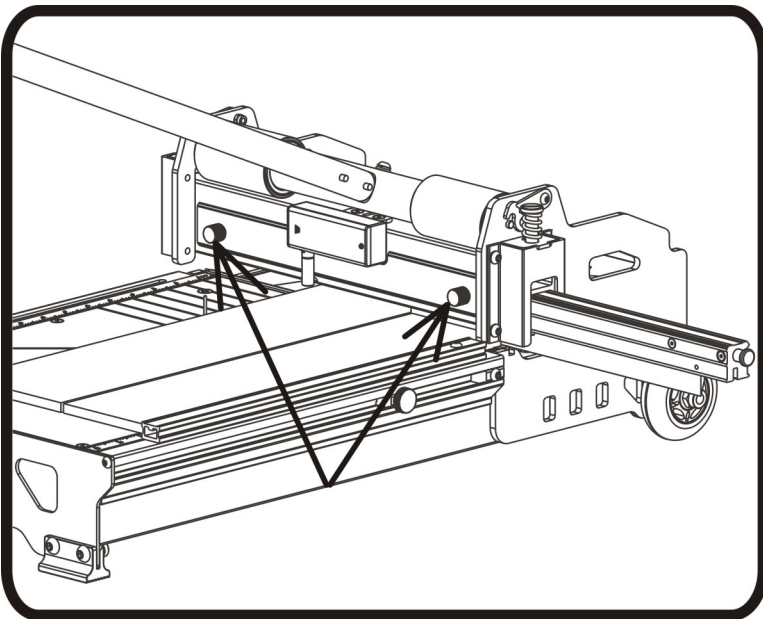
Note:

Some of 45° cuts may need two cuts: a straight cut first and then the angle cut.



Lengthwise Cut

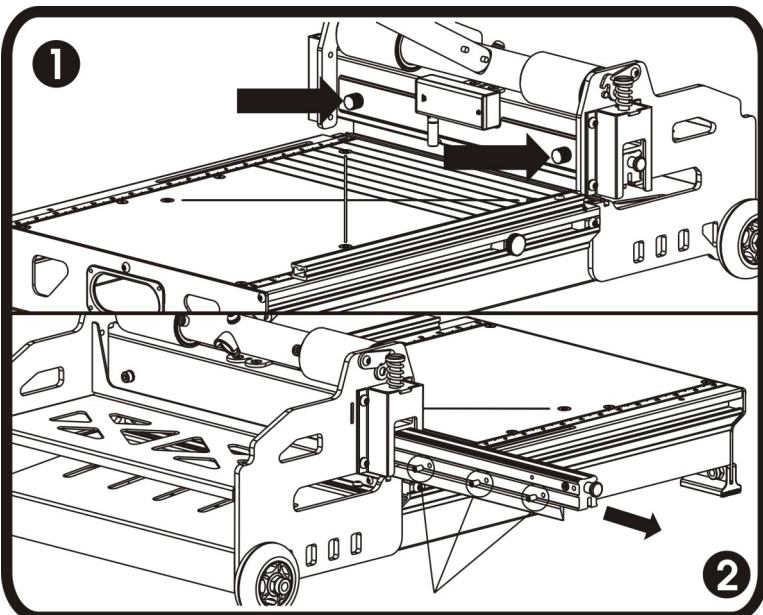
Insert the floor plank between the cutting blade and the working table along with the guide bar from the side way. The guide bar may be locked on both sides of the working table. Keep moving the plank along with the guide bar after each cut until the plank is completely cut.



Notch Cut

Make a lengthwise cut first to desired length on the floor plank as mentioned above, then turn the plank 90°, and put desired cutting point right under the blade.

Unlock two screws on the blade holder and pull out the blade as shown to above mentioned desired cutting point, then pull the handle down to complete a cut.

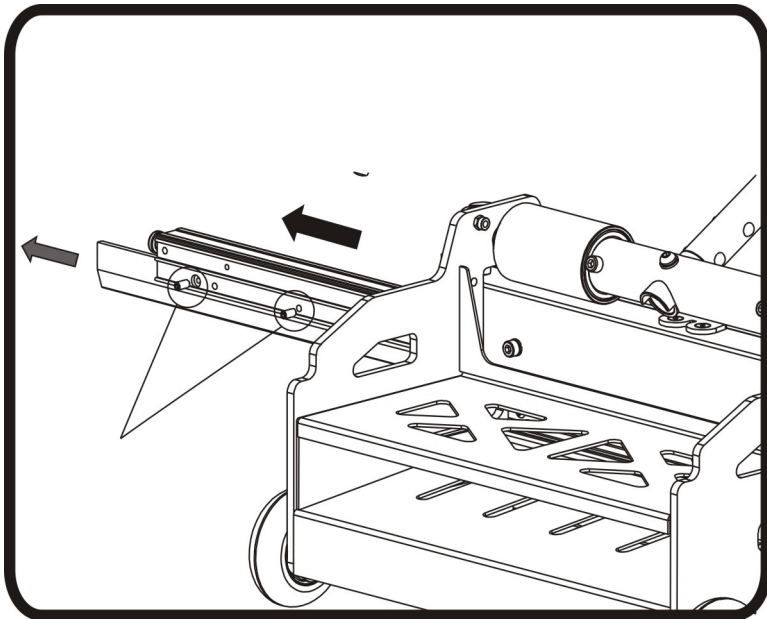


Changing the Blade (2)

First loosen the two screws on the blade holder as shown illustration 1. Then pull out the blade to the right side as shown illustration 2. Use included Allan wrench to remove the three screws.

Note: The flat side of the blade should face the working table.

Warning: Do not put your fingers against the sharp edge of the blade at any time.

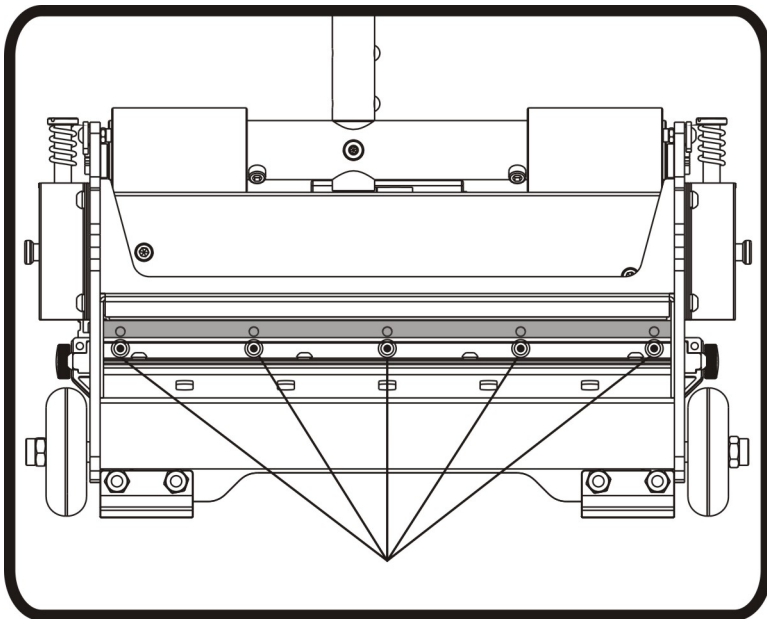


Changing the Blade (2)

Pull out the blade to the left side as shown and remove the two screws, then carefully move the blade out of the small blade holder.

Note: The flat side of the blade should face the working table.

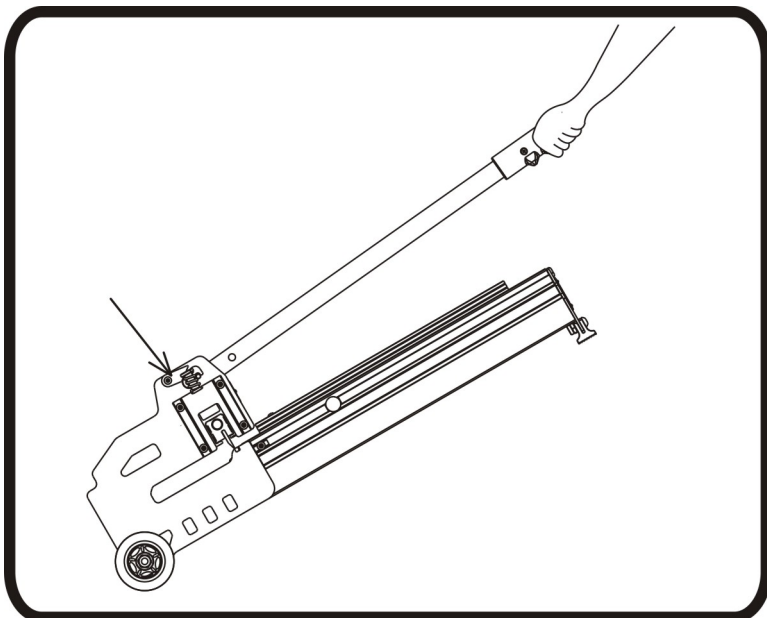
Warning: Do not put your fingers against the sharp edge of the blade at any time.



Changing the Nylon Bar

Use included Allan wrench to take off four screws as shown, and remove the nylon bar.

Warning: Do not put your fingers against the sharp edge of the blade at any time.

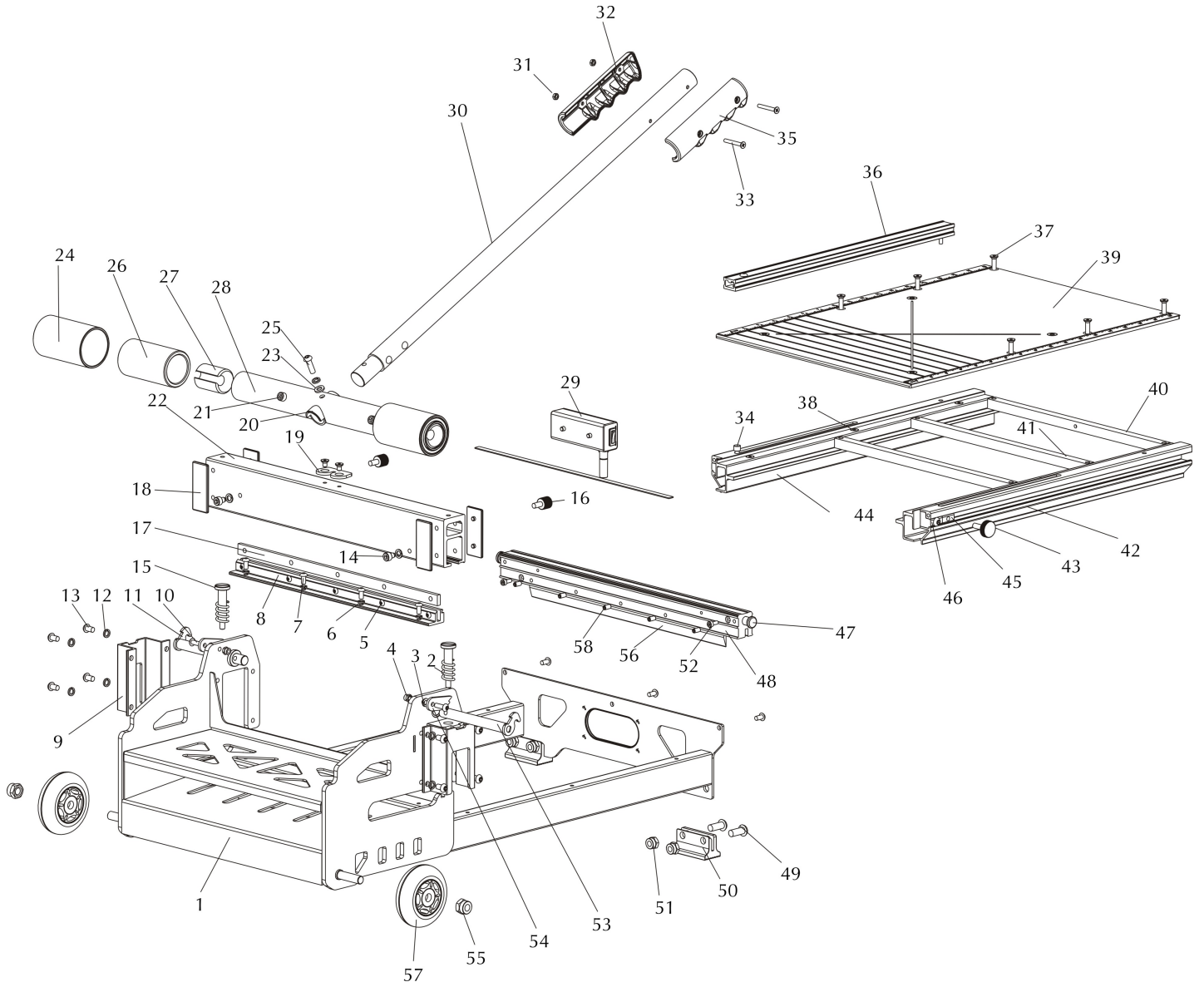


Transport

Insert the lock pins to lock the cutting head when the cutter is not in use, to keep the blade in a close position for the safety as shown on upper illustration.

Pull out the carry handle to carry the cutter as shown.

Explosive View





Explosive View

| | Parts | Q'ty | | Parts | Q'ty |
|----|-------------------------------------|------|----|--------------------------|------|
| 1 | Cutter Base | 1 | 30 | Handle | 1 |
| 2 | Spring | 2 | 31 | Nut | 2 |
| 3 | Washer 5 | 2 | 32 | Right ABS Handle | 1 |
| 4 | Locker Nut M5 | 2 | 33 | Screw M4X30 | 2 |
| 5 | Screw M4X14 | 5 | 34 | Pin | 1 |
| 6 | Spring Washer 5 | 4 | 35 | Left ABS Handle | 1 |
| 7 | Screw M5X10 | 8 | 36 | Guide Bar | 1 |
| 8 | Nylon Bar Holder | 1 | 37 | Screw M5X25 | 6 |
| 9 | Side Cover | 2 | 38 | Screw M5X16 | 6 |
| 10 | Screw M5X16 | 2 | 39 | Working Table | 1 |
| 11 | Right Rotating Shaft | 1 | 40 | Cross Bar A | 1 |
| 12 | Spring Washer 6 | 11 | 41 | Cross Bar B | 2 |
| 13 | Pan head Screw M6X10 | 8 | 42 | Left Working Table Base | 1 |
| 14 | Cylindrical Screw M6X10 | 4 | 43 | Screw M6X20 | 2 |
| 15 | Spring Base | 4 | 44 | Right Working Table Base | 1 |
| 16 | Screw M6 | 2 | 45 | Removable Guide Bar A | 2 |
| 17 | Nylon Bar | 1 | 46 | Removable Guide Bar b | 2 |
| 18 | Nylon Piece | 4 | 47 | Puller | 2 |
| 19 | Stopper | 1 | 48 | Blade Holder | 1 |
| 20 | Handle Base | 1 | 49 | Screw M8X20 | 4 |
| 21 | Screw M6X12 | 2 | 50 | Rubber Feet | 8 |
| 22 | Blade Holder Base | 1 | 51 | Locker Nut M8 | 4 |
| 23 | Washer 6 | 1 | 52 | Screw M4X10 | 2 |
| 24 | Aluminum Wheel | 2 | 53 | Left Rotating Shaft | 1 |
| 25 | Screw M6X20 | 3 | 54 | Stopper A | 4 |
| 26 | Nylon Wheel | 2 | 55 | Locker Nut M10 | 2 |
| 27 | Tube Plug | 2 | 56 | Blade | 1 |
| 28 | Aluminum Eccentric Cam | 1 | 57 | Wheel | 2 |
| 29 | Battery Box and Light Belt Assembly | 1 | 58 | Screw M5X10 | 5 |